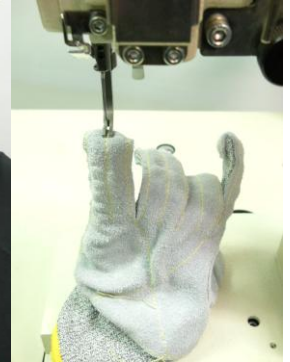
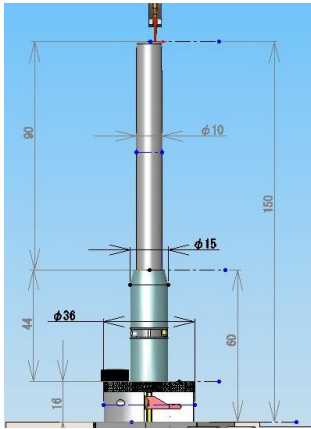


Extra small post bed double chain stitch machine

SPX211

1 needle, extra small post bed chain stitch sewing machine. Suitable to work in very small areas like glove's finger sewing.

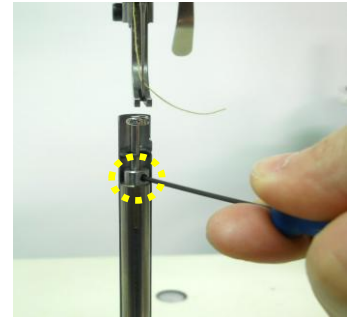
10mm post bed



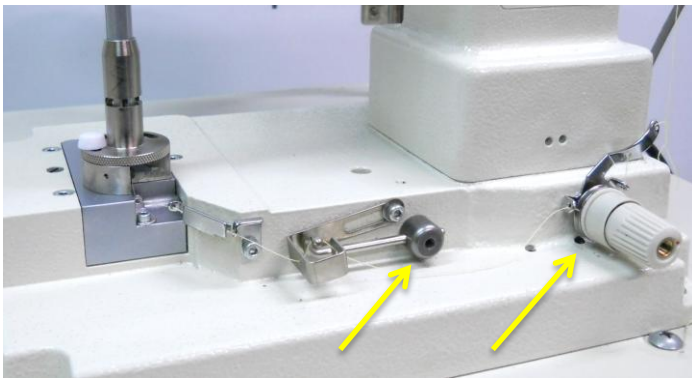
Original Kansai looper that provides a consistent stitch, with one screw maintenance and no adjustment.

No bobbin case ⇒ High productivity

Tension set and thread take up makes stable stitch formation



Knob micro adjustment for upper feed dog



Model name	Application	Material	Needle	No. of threads	Needle bar stroke	Stitch length	Feed dog	Maximum speed
SPX211	Glove stitch	Light to medium work glove	UY-128LE #14 or #16	2	24.5mm	5.0mm/stitch	Upper Feed	800